

INSTALLATION INSTRUCTIONS

DESCRIPTION: Radiator Guard
PART NUMBER: 1WD-E24D0-V0
MODEL: YZF-R3



WARNING

Please read and understand these instructions completely before installation to avoid possible injury, or damage to the accessory or vehicle.

NOTICE:

This installation should be performed by an authorized Yamaha dealer or other qualified technician.

WARRANTY INFORMATION:

Genuine Yamaha Accessories are covered by a one-year limited warranty against defects in material or workmanship. Labor for replacement of defective components is not covered. See your Yamaha dealer for a copy of the warranty statement.

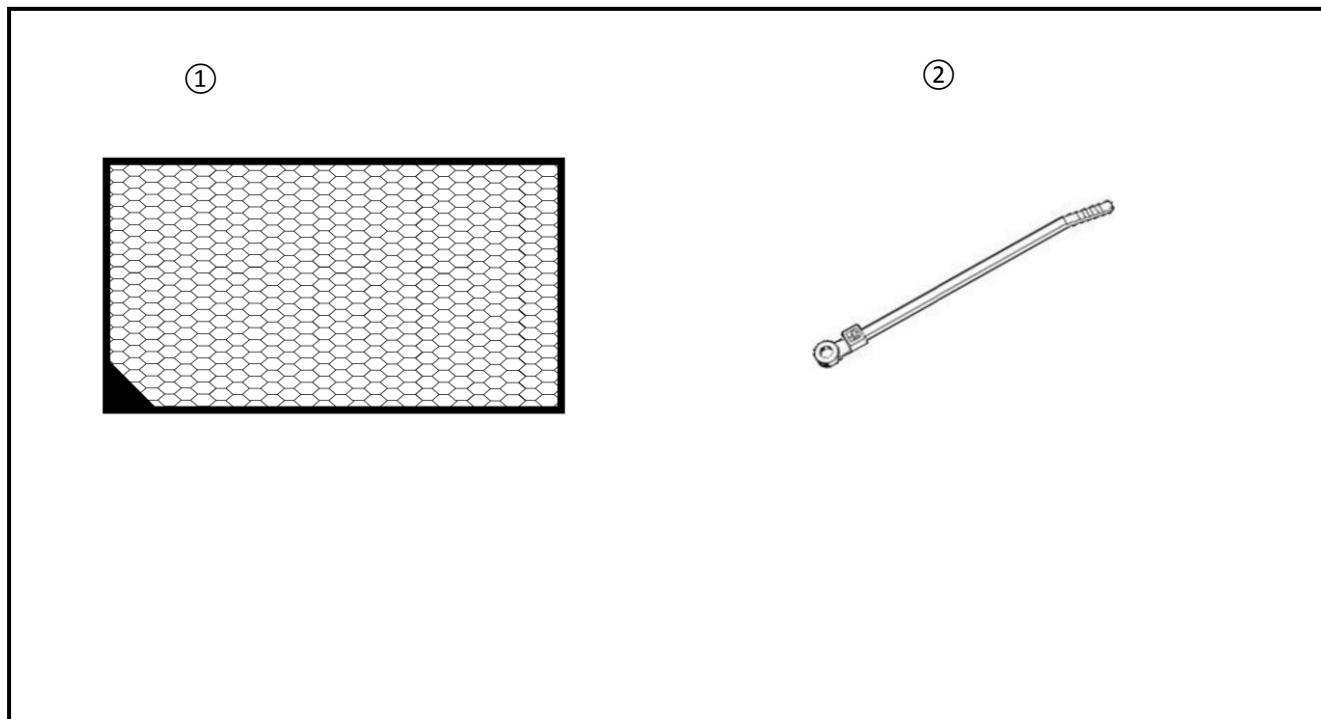
DEALER OR INSTALLER:

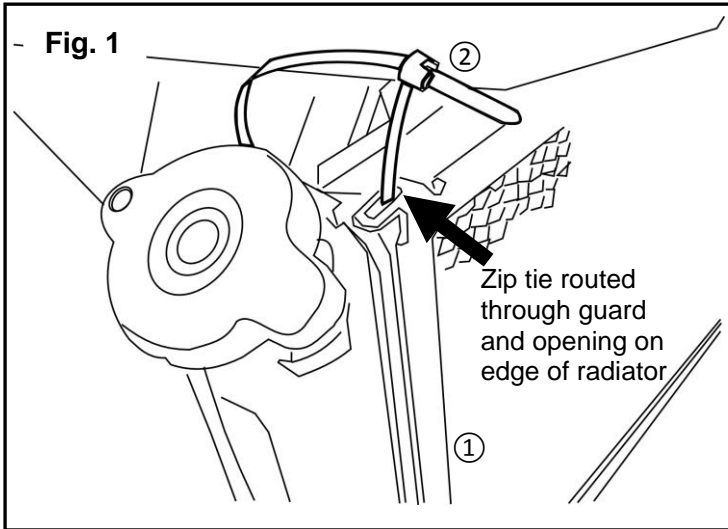
These instructions contain important information for future reference and *must* be given to the customer.

PARTS LIST:

No.	Part Number	Description	Qty
--	1WD-E24D0-V0	Radiator Guard Kit	--
①	*	Radiator Guard	1
②	*	Zip Tie	4

* Part supplied with kit only and not available separately.





PREPARATION:

- Stand motorcycle on a secure and level surface.
- Clean all mounting surfaces before beginning installation.
- The engine and radiator should be cool to the touch.

INSTALLATION:

1. Install the zip ties, open, through the four mount tabs in each corner of the Radiator Guard ①.
2. Install the Radiator Guard ① onto the radiator, routing the zip ties ② through the holes in the radiator frame as shown in Fig. 1. Leave some slack in the zip ties to allow for adjustment.
3. Pull the zip ties tight.
4. Trim excess material flush with the head of the zip ties.

MAINTENANCE:

Periodically check the zip ties. Over time, and with exposure to heat, zip ties can become brittle. Replace any weak or suspect zip ties with UV resistant Zip Ties.

CARE AND CLEANING:

Clean with a soft cloth and mild soap and water solution.

CUSTOMER SERVICE:

For further information see your Yamaha dealer.

ESTIMATED TIME TO INSTALL: 0.2 HRS